

# Keep Your Edge on the Competition

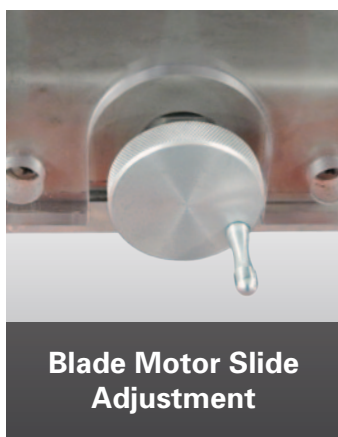
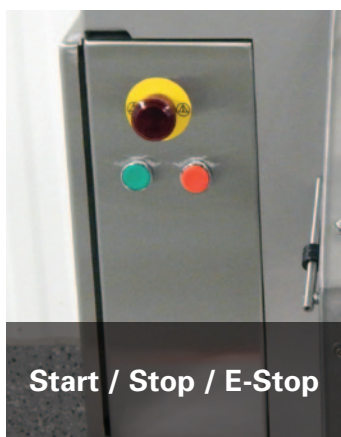
Using our newly designed CE compliant Carruthers knife sharpener will keep circular gang blades in prime condition and optimize the performance of your Carruthers dicer. This circular knife sharpener is engineered to follow the exact contour of the edge profile, leaving no room for error.

## BENEFITS / FEATURES

- Sharpens 8-, 12-, and 14-inch circular gang blades
- Simple to operate and easy to maintain
- Quick-change grinding stones
- Increases yields, reduces fines and minimizes parts cost
- Tabletop, plug-n-play design (110 Volt)
- CE Compliant

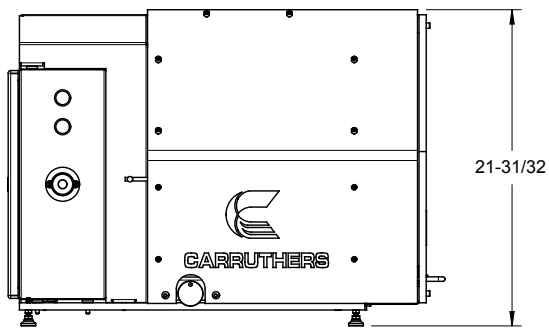
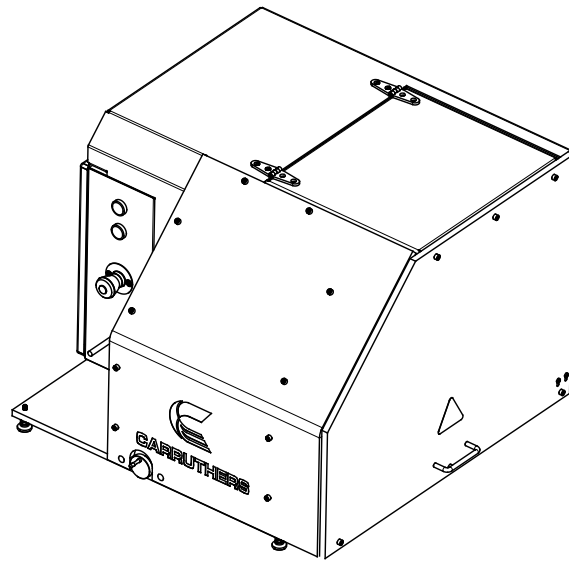
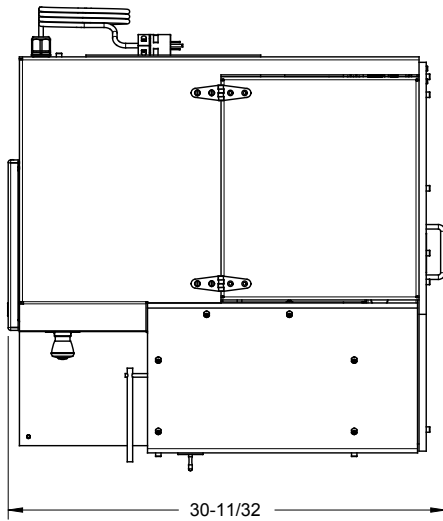


**Now you can sharpen blades onsite, on your schedule!**

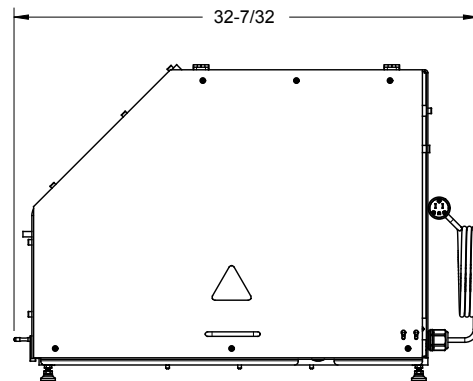


**CARRUTHERS®**

**TECHNICAL DIAGRAM**



SCALE 1/10



**CARRUTHERS®**



4780 NW 41st St, Ste. 100 • Riverside, MO 64150

Tel 913.888.3333 | Toll Free 800.862.7536 | Fax 913.888.6440 | email: sales@marlen.com | www.marlen.com



THE DURAVANT FAMILY OF COMPANIES

MARLEN INTERNATIONAL | ARPAC | HAMER-FISCHBEIN | FISCHBEIN INTERNATIONAL | MESPACK | FMH CONVEYORS

[www.duravant.com](http://www.duravant.com)